

Sensor Converter (SC16)

Features

The SC16 model Sensor Converter is a simple device for interfacing a standard low voltage Envirodata sensor to a variety of higher voltage data loggers and process control equipment.

Description

The sensor converter [SC16] is supplied in an IP66 sealed environmental housing with cable gland and terminal strip.

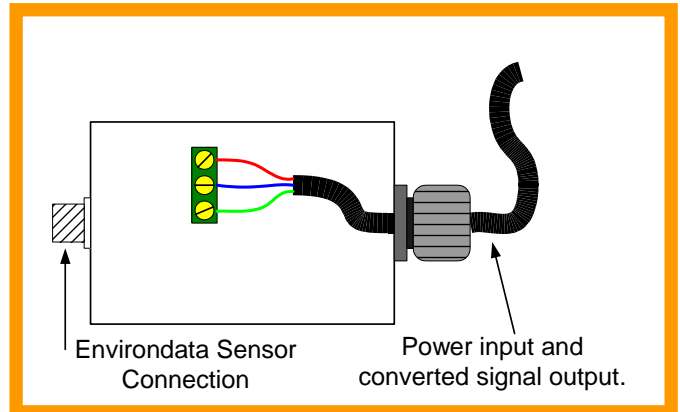
The SC16 provides two functions. Firstly, it converts its supply voltage of 7 to 25 volts DC into the correct 6.25 volts DC required by all standard Envirodata sensors. Secondly, it converts the low voltage sensor output into a higher voltage open collector output.

The open collector output is capable of 'sinking' up to 100 milliamps from the positive supply.

Transient voltage protection is provided on both the supply input and the open collector output.

Installation

Mount the sensor and the SC16 and plug the sensor into the SC16. Put your cable through the cable gland and into the three screw terminals inside the SC16.



Specifications

SC16 Power Requirements

Supply Voltage	7-28 volts DC
Supply Current(quiescent)	2.0mA Maximum plus sensor current.

Sensor Power

Supply Voltage	6.25 volts DC
Supply Current	20mA Maximum

Sensor Connection

3 pin Conxall (Standard Envirodata)
Proprietary digital pulse transmission

Interface Connection

3 wire connection (Power, Ground, and Signal) terminating on 5mm pitch screw terminal block (suitable for wire up to 1.5mm²)
Cable gland (PG11) for cable diameter up to 9mm.

Output Signal

Open collector pull down, current limited to 100mA and transient protected to 30V DC.

Housing

Fully sealed - IP66 rating
Dimensions - 110mm x 80mm x 66mm
Fixing centres - 90mm x 60mm square

Envirodata Environmental Monitoring & Management

P.O. Box 395, WARWICK, Queensland, 4370, Australia

Phone: (07) 4661 4699

Int. Phone: + 61 7 4661 4699

e-mail: sales@envirodata.com.au

Fax: (07) 4661 2485

Int. Fax: +61 7 4661 2485

<http://www.envirodata.com.au>